

Exploline



Ex-Strobe light dSLB 21

Modular concept with GRP housing for use in areas with explosive atmospheres in zone 1 and 2

- ▶ ATEX II 2 G Ex de IIC T5/T6
- ▶ Housing made of glass-fibre reinforced polyester (GRP) / polycarbonate-cap
- ▶ Light intensity: 15 Joule (5 Joule on request)
- ▶ Protection: IP 66
- ▶ Safety class II (no equipotential bonding necessary)
- ▶ Integrated terminal box realized in Ex protection mode increased safety



Operation

Hazardous areas often require the use of optical signals for warning or information purposes. The ExII strobe light dSLB21 offers both of these signalling features. It is designed for continuous operation. If the supply voltage is turned on, the Strobe Light dSLB21 is activated. The device is available in several versions with various levels of operating voltage and flash energy and various signalling colours. The stable, glass-fibre reinforced polyester (GRP) housing is made to the IP66 degree of protection and may be used indoors or outdoors. The II 2 G Ex de IIC T5/T6 protection class enables the unlimited use of the signalling device in all hazardous areas, zones 1 and 2.

Design

The flameproof enclosure and the "increased safety" type of protection of the terminal room guarantee hazardous area protection. The upper part of the flameproof enclosure, which contains the flash electronic and the mounted flash tube, consists of a transparent polycarbonate-cap. An inner cap lends colour to the light. The housing consists completely of GRP. Thus the device is protected against corrosion, and fulfills the requirements of contact safety class II. An equipotential bonding is not required. All outer fastening parts are manufactured in noncorrosive materials.

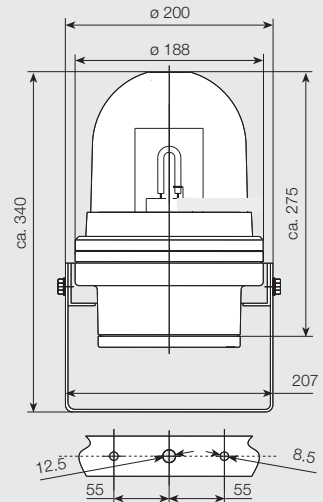
Fault indication on an Oil Platform

The II 2 G EEx de IIC T6 protection class enables the unlimited use of the signalling device in all hazardous areas, zones 1 and 2.

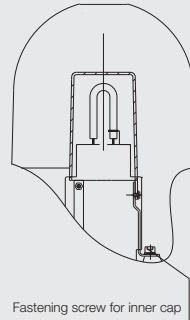
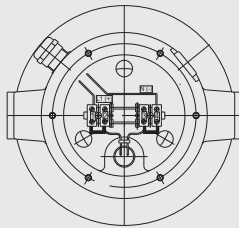


Technical specifications

Housing-bottom part:	GRP glass-fibre reinforced polyester, colour: black or red	
Housing-upper part	Makrolon (Polycarbonat), colour: clear, colour generated via coloured inner cap colours: red, amber, green, blue; standard: amber installed, red enclosed	
Protection:	IP 66 (IEC529)	
Protection class:	II (no equipotential bonding necessary)	
Cable gland:	1x M20 x 1.5 cable gland and 1 blind plug M20 x 1.5	
Connection terminals:	1.5 mm ² fine wire; 2.5 mm ² single wire	
Operating conditions:	indoors and outdoors	
Operating position:	any	
Flash Energy:	15 Joule (5 Joule on request)	
Operating mode	Continuous	
Temperature range		
Operation	-20° C to +40° C (T6)	-20° C to +75° C (T5)
Storage	-20° C to +80° C	
Explosion Protection	II 2 G Ex de IIC T5 / T6	
Weight	ca. 5.5 kg	

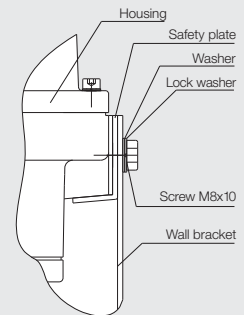


Terminal connection plan



Fastening screw for inner cap

Mounting Wall fixture



Order information

*All article-numbers are ATEX-variants

Type	Name	Rated Voltage U _e	Volt. range	Current Cons.	Colour	Article no.
Housing black						
dSLB 21	Ex-Blitzleuchte, 15 Joule	21-53 VDC	+10/-15%	1,00 A	red	940 242 1202*
dSLB 21	Ex-Blitzleuchte, 15 Joule	21-53 VDC	+10/-15%	1,00 A	red/amber	940 242 1702*
dSLB 21	Ex-Blitzleuchte, 15 Joule	207-253 VAC	+10/-15%	0,20 A	red	942 301 1202*
dSLB 21	Ex-Blitzleuchte, 15 Joule	207-253 VAC	+10/-15%	0,20 A	red/amber	942 301 1702*
Housing red						
dSLB 21	Ex-Blitzleuchte, 15 Joule	21-53 VDC	+10/-15%	1,00 A	red	940 242 1212*
dSLB 21	Ex-Blitzleuchte, 15 Joule	21-53 VDC	+10/-15%	1,00 A	red/amber	940 242 1712*
dSLB 21	Ex-Blitzleuchte, 15 Joule	207-253 VAC	+10/-15%	0,20 A	red	942 301 1212*
dSLB 21	Ex-Blitzleuchte, 15 Joule	207-253 VAC	+10/-15%	0,20 A	red/amber	942 301 1712*

Other voltages and colours on request

Subject to change without notice · Printout 12/09