

Escape Sign Panel Luminaire

1903 LED CG-S



- LED escape sign panel luminaire in surface-mounted design with minimised rectangular housing form
- Simple mounting of screenprinted pictogram panel via snap-fitting
- 90° wall mounting achieved via special pictogram panel rotated at 90°
- Special LED converter, with integrated monitoring module for single luminaire monitoring
- Increased safety with use of 3-chip LEDs
- Minimum maintenance effort via high LED service life (50,000 hours)
- Shortened inspection effort due to CEWA GUARD technology
- Automatic function monitoring of up to 20 luminaires per circuit
- Reduced installation expenditures by STAR technology
- Freely programmable mixed operation of the switching modes per luminaire in one circuit



1903 LED CG-S aluminium with panel PL/PR

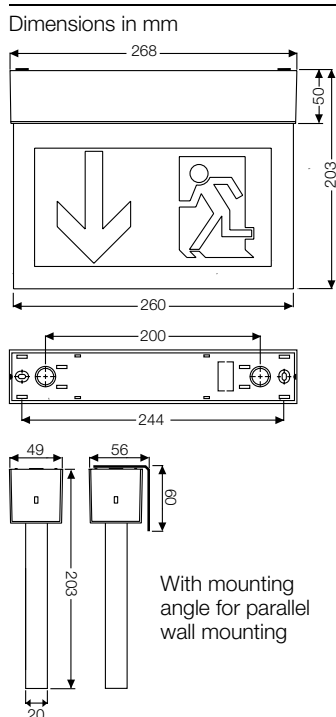


1903 LED CG-S white with panel PL/PR R 90°

Viewing distance	22 m
Luminous flux Φ_E/Φ_N at the end of rated operating time	100 %
Housing material	Plastic
Weight incl. panel	1.28 kg
Housing colour	White / Aluminium
Type of mounting	Wall and ceiling mounting
Connection terminals	Clamp terminal 2.5 mm ²
Connection voltage	220 – 240 V AC, 50/60 Hz 176 – 275 V DC
Current consumption - battery operation (220 V)	12 mA
Power consumption mains operation (apparent power/effective power)	5.5 VA 3.0 W
Permissible ambient temperature	-10 °C to +40 °C
Light source	LED batten with 3-chip LEDs

Ordering details

Type	Scope of supply	Order No.
1903 LED CG-S white	Luminaire housing plastic, without panel, colour white, with CEWA GUARD monitoring and 20-digit address switch	4 0071 352 230
1903 LED CG-S aluminium	Luminaire housing plastic, without panel, colour aluminium, with CEWA GUARD monitoring and 20-digit address switch	4 0071 352 235
Panel PL/PR acc. to DIN 4844	Two-sided pictogram panel 22 m	4 0071 350 587
Panel PU/PU acc. to DIN 4844	Two-sided pictogram panel 22 m	4 0071 350 588
Panel PU/BL acc. to DIN 4844	Two-sided pictogram panel 22 m	4 0071 350 589
Panel PL/BL acc. to DIN 4844	Two-sided pictogram panel 22 m	4 0071 350 592
Panel PR/BL acc. to DIN 4844	Two-sided pictogram panel 22 m	4 0071 350 593
Panel PL/PR-R* 90° acc. to DIN 4844	Two-sided pictogram panel 22 m, wall mounting	4 0071 350 622
Panel PL/PR-W* 90° acc. to DIN 4844	Two-sided pictogram panel 22 m, wall mounting	4 0071 350 621
Panel PL/PR	Two-sided pictogram panel 22 m	4 0071 350 584
Panel PU/PU	Two-sided pictogram panel 22 m	4 0071 350 585
Panel PU/BL	Two-sided pictogram panel 22 m	4 0071 350 586
Panel PL/BL	Two-sided pictogram panel 22 m	4 0071 350 590
Panel PR/BL	Two-sided pictogram panel 22 m	4 0071 350 591
Panel PL/PR-R* 90°	Two-sided pictogram panel 22 m, wall mounting	4 0071 350 620
Panel PL/PR-W* 90°	Two-sided pictogram panel 22 m, wall mounting	4 0071 350 619



Escape Sign Panel Luminaire 1903 LED CG-S

Accessories

Type		Order No.
Mounting angle	for parallel wall mounting, white	4 0071 350 599
Suspension set 0.5 m	white canopy and aluminium pendulum tube	4 0071 348 721
Suspension set 0.5 m	aluminium canopy and pendulum tube	4 0071 352 842

* R = Arrow from mounting wall / W = Arrow to mounting wall