

Safety Luminaire and Escape Sign Luminaire

79011 CG-S ... 79021 CG-S



- Enclosure made of slim aluminium profile, anodised, with silk-screened pictogram cover
- Shortened inspection effort due to CEWA GUARD technology
- Automatic function monitoring of up to 20 luminaires per circuit
- Reduced installation expenditure with STAR technology
- Freely programmable mixed operation of the switching modes per luminaire in one circuit



79011 CG-S



79021 CG-S
with wall/ceiling mounting kit

Viewing distance	60 m
Luminous flux Φ_E/Φ_N at the end of rated operating time	75 %
Housing material	Aluminium
Weight incl. cover	3.55 kg (79011 CG-S) 3.00 kg (79021 CG-S)
Housing colour	Aluminium, anodised
Type of mounting	Wall mounting (79011 CG-S) Wall, ceiling and pendant mounting (79021 CG-S)
Connection terminals	Loop terminals 3 x 2.5 mm ²
Connection voltage	220 – 240 V AC, 50/60 Hz 176 – 275 V DC
Current consumption with battery operation	70 mA
Power consumption mains operation	30 VA
Permissible ambient temperature	-10 °C to +40 °C
Light source	18 W/T26, 1350 lm

Ordering details

Type	Scope of supply	Order No.
79011 CG-S	Luminaire with CEWA GUARD monitoring and 20-digit address switch, without cover and without light source	400 71 351 230
79021 CG-S WM	Luminaire with CEWA GUARD monitoring for wall mounting, with 20-digit address switch, without covers* and without light source	400 71 351 231
79021 CG-S DM	Luminaire with CEWA GUARD monitoring for ceiling mounting, with 20-digit address switch, without covers* and without light source	400 71 351 232
79021 CG-S PM	Luminaire with CEWA GUARD monitoring for pendant mounting, with 20-digit address switch, without covers* and without light source	400 71 351 233
Cover PL	Cover with pictogram acc. to DIN 4844	400 71 351 800
Cover PR	Cover with pictogram acc. to DIN 4844	400 71 351 801
Cover PU	Cover with pictogram acc. to DIN 4844	400 71 351 802
Cover PL	Cover with pictogram	400 71 351 808
Cover PR	Cover with pictogram	400 71 351 809
Cover PU	Cover with pictogram	400 71 351 810
Cover SL	Transparent cover	400 71 351 189
Blind cover		400 71 351 199

* Each luminaire requires 2 covers.

Installation material is not included in the scope of delivery of the luminaire. Please order installation material separately depending on the type of mounting (see accessories).

WM = Wall mounting, DM = Ceiling mounting, PM = Pendant mounting

Safety Luminaire and Escape Sign Luminaire 79011 CG-S ... 79021 CG-S

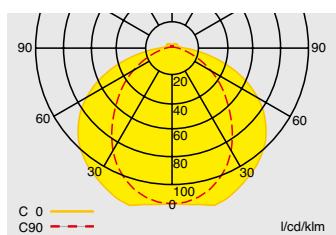
Accessories

Type		Order No.
Wall/ceiling mounting kit	for WM / DM, A = 42 mm*	400 71 351 011
Wall/ceiling mounting kit	for WM / DM, A = 100 mm*	400 71 351 497
Suspension set 0.5 m	with canopy, silver, square form, for PM	400 71 344 599
Suspension set 1.0 m	with canopy, silver, square form, for PM	400 71 350 775
Suspension set 1.5 m	with canopy, silver, square form, for PM	400 71 350 776
Chain fastening	Ring eyelets, for PM	400 71 351 158

* for 79021 2 x required

Planning help for 79011 CG-S for E = 1.0 lx (0.5 lx) with transparent cover

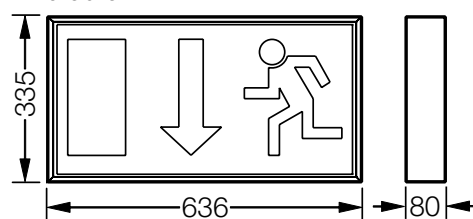
Measuring level 0.02 m, maintenance factor MF = 80 %, battery operation, distances in m



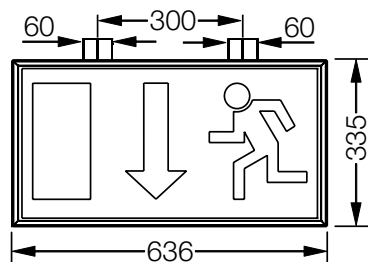
Light distribution curve 79011 CG-S

Mounting height (m)	Types of mounting	L1	L2	L3	L4
2.5	Ceiling mounting	3.7 (4.5)	9.0 (10.8)	4.7 (5.8)	11.6 (14.0)
3.0	Escape route centre	4.0 (4.9)	9.8 (12.0)	5.1 (6.3)	12.6 (15.2)
4.0		4.3 (5.5)	11.0 (13.6)	5.5 (7.0)	14.0 (17.4)
5.0		4.5 (6.0)	11.8 (15.0)	5.8 (7.6)	15.2 (19.0)
6.0		4.6 (6.2)	12.4 (16.0)	5.8 (7.9)	15.8 (20.4)
7.0		4.5 (6.4)	12.6 (16.8)	5.6 (8.1)	16.2 (21.4)
2.0	Wall mounting	2.8 (3.3)	6.6 (7.8)	3.2 (3.9)	7.8 (9.6)
2.5		2.8 (3.4)	6.8 (8.2)	3.0 (3.9)	7.8 (9.6)
3.0		2.7 (3.4)	6.8 (8.4)	2.6 (3.7)	7.4 (9.6)
3.0	Ceiling mounting	3.4 (4.4)	9.6 (10.8)	4.5 (5.5)	10.6 (13.6)
4.0	Room illumination	3.4 (4.4)	11.2 (13.4)	5.5 (6.5)	11.8 (14.6)
5.0		4.4 (4.4)	11.2 (14.2)	4.5 (7.5)	14.2 (17.0)
6.0		4.4 (5.4)	12.8 (15.0)	4.5 (6.5)	14.2 (18.8)
7.0		3.4 (5.4)	13.2 (17.0)	5.5 (6.5)	15.2 (18.8)

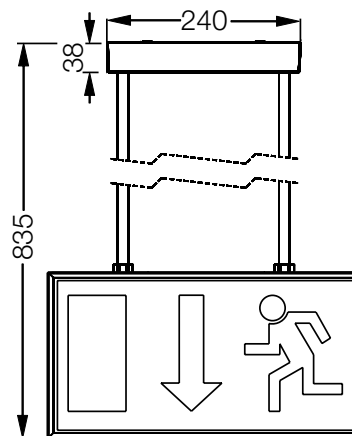
Dimensions in mm



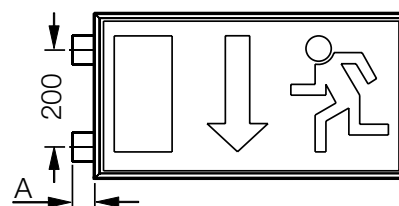
79011 CG-S



79021 CG-S DM



79021 CG-S PM



79021 CG-S WM

A = 42 mm, 100 mm and 500 mm