

Escape Sign Panel Luminaire Brillant 1508 ... 1808 CG-S



- Escape sign panel luminaire for fluorescent lamps with rectangular, slender 50 mm profile housing including device for simple relamping
- Recessed mounting version including plastic bezel, optional with metal bezel
- Shortened inspection effort due to CEWA GUARD technology
- Automatic function monitoring of up to 20 luminaires per circuit
- Reduced installation expenditures by STAR technology
- Freely programmable mixed operation of the switching modes per luminaire in one circuit



1508 CG-S
design white



1608 CG-S
design white



1708 CG-S
design white



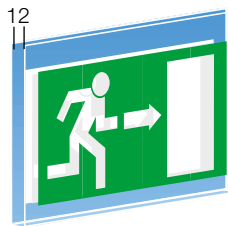
1808 CG-S
with metal shield

Viewing distance	28 m
Luminous flux Φ_E/Φ_N at the end of rated operating time	75 %
Housing material	Aluminium
Housing colour	White
Weight incl. panel B	3.4 kg (1508 CG-S) 3.4 kg (1608 CG-S) 3.0 kg (1708 CG-S) 4.2 kg (1808 CG-S)
Connection terminals	Loop terminals 3 x 2.5 mm ²
Connection voltage	220 – 240 V AC, 50/60 Hz 176 – 275 V DC
Current consumption - battery operation (220 V)	30 mA
Power consumption mains operation	16 VA
Permissible ambient temperature	-10 °C to +40 °C
Light source	8 W/T16, 450 lm

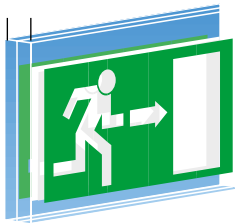
Ordering details

Type	Scope of supply	Order No.
1508 CG-S	Panel luminaire with CEWA GUARD monitoring and 20 digit address switches; with wall bracket for parallel wall mounting, without panel; design: white, RAL 9010	4 0071 348 710
1608 CG-S	Panel luminaire with CEWA GUARD monitoring and 20 digit address switches; with wall bracket, without panel; design: white, RAL 9010	4 0071 348 712
1708 CG-S	Panel luminaire with CEWA GUARD monitoring and 20 digit address switches; for surface ceiling mounting with accessories for chain suspension and accessories for pendant mounting, without panel; design: white, RAL 9010	4 0071 348 714
1808 CG-S	Panel luminaire with CEWA GUARD monitoring and 20 digit address switches; for recessed ceiling mounting, without panel; design: plastic shield white, RAL 9010	4 0071 348 716

Escape Sign Panel Luminaire Brillant 1508 ... 1808 CG-S



Panel A



Panel B

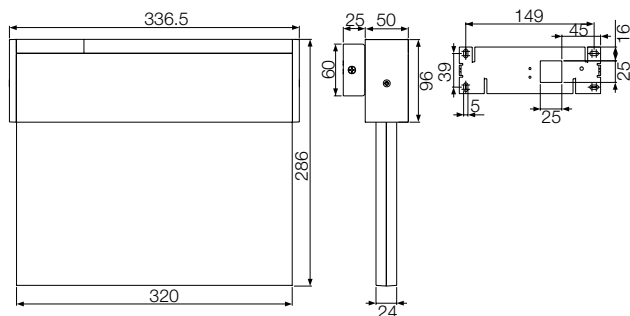
Ordering details

Type	Scope of supply		Order No.
Panel A PL acc. to DIN 4844	One-sided pictogram panel		4 0071 348 923
Panel A PR acc. to DIN 4844	One-sided pictogram panel		4 0071 348 924
Panel A PU acc. to DIN 4844	One-sided pictogram panel		4 0071 348 922
Panel B PL/PR acc. to DIN 4844	Two-sided pictogram panel		4 0071 348 925
Panel B PU/PU acc. to DIN 4844	Two-sided pictogram panel		4 0071 348 926
Panel B PU/BL acc. to DIN 4844	Two-sided pictogram panel		4 0071 349 886
Panel A PL	One-sided pictogram panel		4 0071 341 532
Panel A PR	One-sided pictogram panel		4 0071 341 533
Panel A PU	One-sided pictogram panel		4 0071 341 531
Panel B PL/PR	Two-sided pictogram panel		4 0071 341 527
Panel B PU/PU	Two-sided pictogram panel		4 0071 341 526
Panel B PU/BL	Two-sided pictogram panel		4 0071 349 180

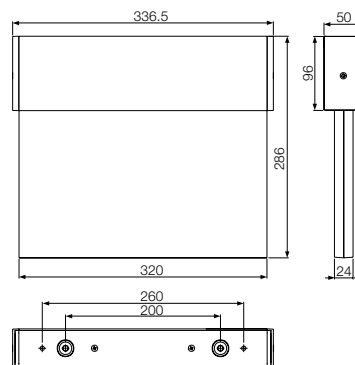
Accessories

Type		Order No.
Bezel for 1808 CG-S	metal shield white, RAL 9010	4 0071 348 859
Concrete mounting box for 1808 ...	for installation in concrete ceilings	4 0071 341 710
Mounting kit for 1808 ...	for installation in concrete recessing box	4 0071 341 720
Suspension set, white	0.5 m with canopy for 1708, RAL 9010	4 0071 348 721
Suspension set, white	1.5 m with canopy for 1708, RAL 9010	4 0071 348 722
Chain suspension metal	Chain fastening für 1708	4 0071 348 723

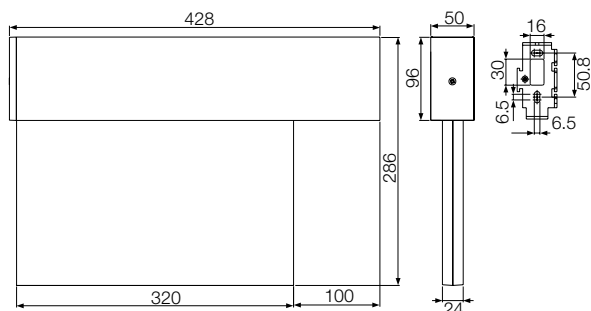
Dimensions in mm



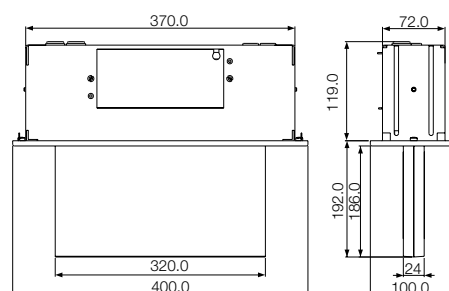
1508 CG-S



1708 CG-S



1608 CG-S



1808 CG-S

Ceiling cut-out
387^(+2.5) x 75^(+2.5)