

Technical data

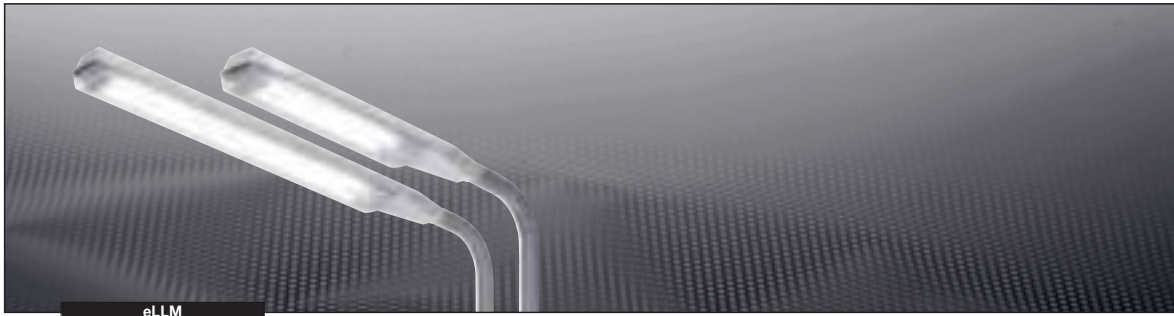
eLLK 92018/18 □ eLLK 92036 / eLLK 92036/36 □ eLLK 92058 / eLLK 92058/58	
Marking to 94/9/EC	⊕ II 2 G Ex de IIC T4 / ⊕ II 2 G Ex de mb II T4 (CG-S variant) ⊕ II 2 D Ex tD A21 IP66 T80 °C
EC-Type Examination Certificate	BVS 09 ATEX E 034
IECEX-Certificate of Conformity	IECEX BVS 09.0033
Marking to IECEx	Ex de mb IIC T4 Ex tD A21 IP66 T 80 °C
Permissible ambient temperature	-25 °C to +55 °C (U _n ≥ 220 V) -25 °C to +50 °C (U _n < 220 V) ¹⁾
Frequency	50 - 60 Hz
Power factor cos □	≥ 0.95
Circuit	EVG resp. EVG/CG-S
Connecting terminals	L1, L2, L3, L, N, PE; max. 2 x 6 mm ² per terminal
Insulation class	I
Lamp cap	G13 accd. to IEC 60081
Degree of protection accd. EN 60529	IP66/IP67
Cable glands/gland plates/enclosure entry holes	Ex-e cable glands M25 x 1.5 (plastic) for cables from Ø 8 - 17 mm, Option: M20 x 1.5 metal thread
Enclosure material	Glass-fibre reinforced polyester
Protective cover/protective bowl	Polycarbonate

	eLLK 92018/18	eLLK 92036	eLLK 92036/36
Rated voltage	110 - 254 V AC /	110 - 254 V AC /	110 - 254 V AC /
	110 - 250 V DC	110 - 250 V DC	110 - 250 V DC
Rated voltage CG-S	220 - 254 V AC /	220 - 254 V AC /	220 - 254 V AC /
	195 - 250 V DC	195 - 250 V DC	195 - 250 V DC
Rated current	0.18 A	0.18 A	0.34 A
	0.19 A (CG-S variant)		0.35 A (CG-S variant)
Lamp/illuminant	2 x T26 / 18 W (T8)	1 x T26 / 36 W (T8)	2 x T26 / 36 W (T8)
Rated luminous flux ²⁾	2700 lm	3350 lm	6700 lm
Light efficiency in operation	78 %	86 %	78 %
Dimensions (L x W x H)	760 x 188 x 130 mm	1360 x 188 x 130 mm	1360 x 188 x 130 mm
Weight	approx. 5.2 kg /	approx. 7.2 kg	approx. 7.4 kg /
	approx. 5.6 kg (CG-S variant)		approx. 7.7 kg (CG-S variant)

	eLLK 92058	eLLK 92058/58
Rated voltage	220 - 254 V AC /	220 - 254 V AC /
	195 - 250 V DC	195 - 250 V DC
Rated voltage CG-S	220 - 254 V AC /	220 - 254 V AC /
	195 - 250 V DC	195 - 250 V DC
Rated current	0.27 A	0.53 A / 0.54 A (CG-S variant)
Lamp/illuminant	1 x T26 / 58 W (T8)	2 x T26 / 58 W (T8)
Rated luminous flux ²⁾	5200 lm	10400 lm
Light efficiency in operation	83 %	72 %
Dimensions (L x W x H)	1660 x 188 x 130 mm	1660 x 188 x 130 mm
Weight	approx. 8.2 kg	approx. 9.1 kg / approx. 9.6 kg (CG-S variant)

¹⁾ eLLK 92058/58: max. +40 °C

²⁾ depends on used lamps



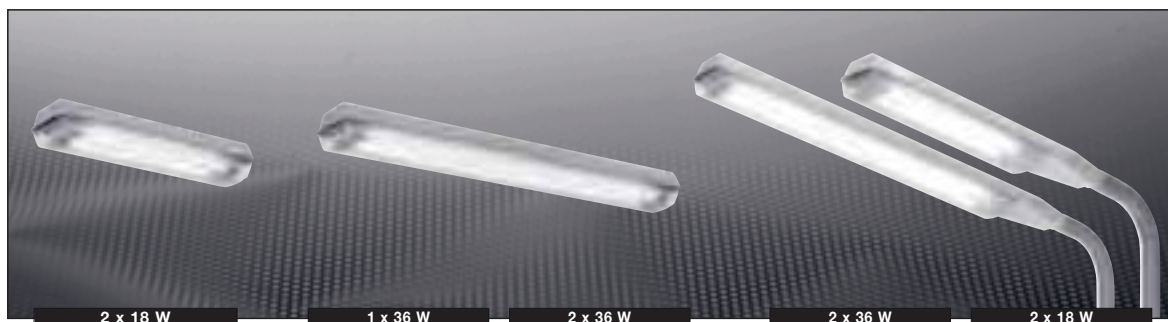
eLLM

Technical data

eLLM 92018/18 | eLLM 92036/36

Marking to 94/9/EC	II 2 G Ex de IIC T4 II 2 D Ex tD A21 IP66 T80 °C
EC-Type Examination Certificate	BVS 09 ATEX E 034
IECEX-Certificate of Conformity	IECEX BVS 09.0033
Marking to IECEx	Ex de IIC T4 Ex tD A21 IP66 T80 °C
Permissible ambient temperature	-25 °C to +55 °C ($U_n \geq 220$ V) -25 °C to +50 °C ($U_n < 220$ V)
Rated voltage	110 - 254 V AC / 110 - 250 V DC
Frequency	50 - 60 Hz
Power factor $\cos \varphi$	≥ 0.95
Circuit	EVG
Connecting terminals	L1, N, PE; max. 2 x 6 mm ² per terminal
Insulation class	I
Lamp cap	G13 accd. to IEC 60081
Degree of protection accd. EN 60529	IP66
Cable glands/gland plates/enclosure entry holes	Ex-e cable glands M25 x 1.5 (plastic) for cables from $\varnothing 8 - 17$ mm
Enclosure material	Glass-fibre reinforced polyester
Protective cover/protective bowl	Polycarbonate

	eLLM 92018/18	eLLM 92036/36
Rated voltage	110 - 254 C AC / 110 - 250 V DC	
Rated current	0.18 A	0.34 A
Lamp/illuminant	2 x T26 / 18 W (T8)	2 x T26 / 36 W (T8)
Rated luminous flux ¹⁾	2700 lm	6700 lm
Light efficiency in operation	78 %	78 %
Dimensions (L x W x H)	1060 x 188 x 130 mm	1660 x 188 x 130 mm
Pole socket	$\varnothing 44$ mm x 150 mm	$\varnothing 44$ mm x 150 mm
Weight	approx. 7.0 kg	approx. 9.5 kg



Ordering details

Type	Terminals	Through-wiring		Cable glands ³⁾	Plugs	Order No.
		single-ended	double-ended			
eLLK 92018/18 (2 x 18 W)						
1/6-1	1 x 6	x	–	2 x M25 x 1.5	1 x blanking	1 2265 875 101
2/6-2	2 x 6	–	x	2 x M25 x 1.5	2 x threaded	1 2265 875 103
1/6-1 M ¹⁾	1 x 6	x	–	2 x M20 x 1.5	1 x threaded	1 2265 875 109
2/6-2 M ¹⁾	2 x 6	–	x	4 x M20 x 1.5	2 x threaded	1 2265 875 111
eLLK 92018/18 (2 x 18 W)						
Level gauge P2	1 x 6	x	–	2 x M25 x 1.5	1 x blanking	1 2265 875 126
eLLK 92018/18 CG-S²⁾ (2 x 18 W)						
2/6-2	2 x 6	–	x	2 x M25 x 1.5	2 x threaded	1 2265 881 103
2/6-2M ¹⁾	2 x 6	–	x	4 x M20 x 1.5	2 x threaded	1 2265 881 211
eLLM 92018/18 (2 x 18 W)						
1/6-1	1 x 3	–	–	1 x M25 x 1.5		1 2268 875 101
eLLK 92036 (1 x 36 W)						
1/6-1	1 x 6	x	–	2 x M25 x 1.5	1 x blanking	1 2263 875 101
2/6-2	2 x 6	–	x	2 x M25 x 1.5	2 x threaded	1 2263 875 103
1/6-1 M	1 x 6	x	–	2 x M20 x 1.5	1 x threaded	1 2263 875 111
eLLK 92036 (1 x 36 W)						
Level gauge P3 1/6-1	1 x 6	x	–	2 x M25 x 1.5	1 x blanking	1 2263 875 125
eLLK 92036/36 (2 x 36 W)						
1/6-1	1 x 6	x	–	2 x M25 x 1.5	1 x blanking	1 2266 875 101
2/6-2	2 x 6	–	x	2 x M25 x 1.5	2 x threaded	1 2266 875 103
1/6-1 M ¹⁾	1 x 6	x	–	2 x M20 x 1.5	1 x threaded	1 2266 875 109
2/6-2 M ¹⁾	2 x 6	–	x	4 x M20 x 1.5	2 x threaded	1 2266 875 111
eLLK 92036/36 CG-S²⁾ (2 x 36 W)						
2/6-2	2 x 6	–	x	2 x M25 x 1.5	2 x threaded	1 2266 881 103
2/6-2M ¹⁾	2 x 6	–	x	4 x M20 x 1.5	2 x threaded	1 2266 881 211
eLLM 92036/36 (2 x 36 W)						
1/6-1	1 x 3	–	–	1 x M25 x 1.5		1 2269 875 101
eLLK 92058 (1 x 58 W)						
1/6-1	1 x 6	x	–	2 x M25 x 1.5	1 x blanking	1 2264 875 101
2/6-2	2 x 6	–	x	2 x M25 x 1.5	2 x threaded	1 2264 875 103
2/6-2 M ¹⁾	2 x 6	–	x	4 x M20 x 1.5	2 x threaded	1 2264 875 111
eLLK 92058/58 (2 x 58 W)						
1/6-1	1 x 6	x	–	2 x M25 x 1.5	1 x blanking	1 2267 875 101
2/6-2	2 x 6	–	x	2 x M25 x 1.5	2 x threaded	1 2267 875 103
2/6-2 M ¹⁾	2 x 6	–	x	4 x M20 x 1.5	2 x threaded	1 2267 875 111
eLLK 92058/58 CG-S²⁾ (2 x 58 W)						
2/6-2	2 x 6	–	x	2 x M25 x 1.5	2 x threaded	1 2267 881 103
2/6-2 M ¹⁾	2 x 6	–	x	4 x M20 x 1.5	2 x threaded	1 2267 881 211

¹⁾ M: with metal thread, without cable gland

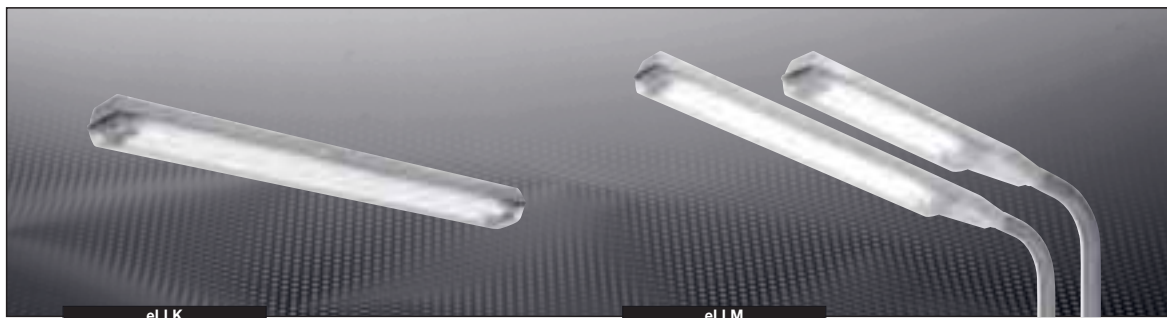
²⁾ CG-S: design single monitored emergency light fitting for use in CEAG emergency light supply unit

³⁾ With dustcover if entry/thread is not closed

Scope of delivery without lamp and fixing accessories.

1
2
3
4
5
6
7
8
9
10
11
12

| eLLK 92... (18-58 W) | eLLM 92.../.. (18 + 36 W) |



Accessories

Lamp for luminaire eLLK92/eLLM92

Type of lamp socket/ diameter	Power	Luminous flux light colour	Order No.
Bi-pin socket G13 T26/Ø 26 mm (T8) G13-60081-IEC-2220-1	18 W	1350 lm white	3 2475 900 001
Bi-pin socket G13 T26/Ø 26 mm (T8) G13-60081-IEC-2420-1	36 W	3350 lm white	3 2475 900 002
Bi-pin socket G13 T26/Ø 26 mm (T8) G13-60081-IEC-2520-1	58 W	5200 lm white	3 2475 900 003
Aura-Ultimate T26/Ø 26 mm (T8) Longlife G13-socket	18 W 36 W 58 W	1300 lm white 3350 lm white 5200 lm white	3 2475 900 087 3 2475 900 088 on request
Aura Super Ex T-HS 26/Ø 26 mm ¹⁾ Single pin cap Fa6	18 W 36 W 58 W	1150 lm white 3000 lm white 4800 lm white	3 2475 900 084 3 2475 900 085 on request

Series eLLK 92... and eLLM 92...

Type	Order No.
Hexagon screw SW 13	3 2485 000 005

Series eLLM 92018/18 and eLLM 92036/36

Type	Order No.
Single sided through wiring 2/6 with 2 entries M25, incl. terminals and mounting material	2 2218 602 000

Fixing materials eLLK 92

Type/code	Corrosion protection	Qty. per light fitting	Order No.
Eye bolt A2	galvanized	2	2 2480 002 000
Hexagon screw S4	stainless steel	2	2 2480 054 000
Ceiling mounting bracket D92 incl. screws and washer	stainless steel	2	2 2480 092 000

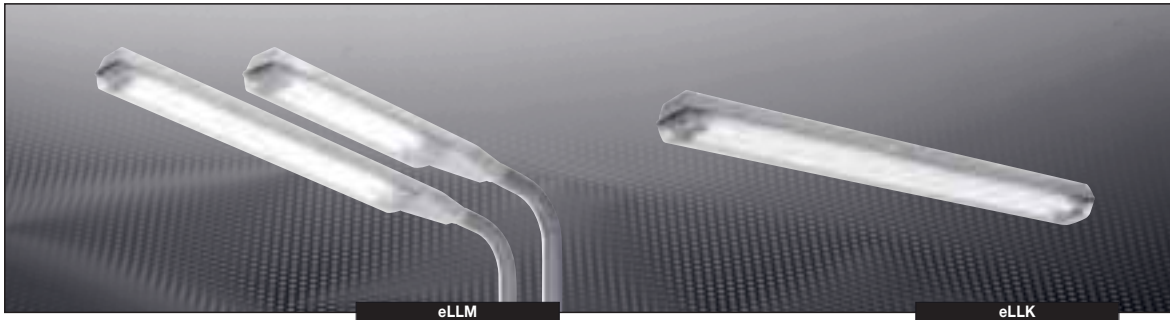
Fixing materials

Type/code	Corrosion protection	for pipes DIN	Outer Ø D (mm)	Qty. per light fitting	Order No.
Pipe clamp R12	hot galvanized	1 1/4"	38 - 42	2	2 2480 462 000
R14	CrNi	1 1/4"	38 - 42	2	2 2480 464 000
R22	hot galvanized	1 1/2"	47 - 51	2	2 2480 472 000
R24	CrNi	1 1/2"	47 - 51	2	2 2480 474 000
R32	hot galvanized	2"	56 - 60	2	2 2480 482 000
R34	CrNi	2"	56 - 60	2	2 2480 484 000
Wall bracket W27	hot galvanized		42.4	1	2 2483 027 000
Luminaire wall suspension 30° incl. screws and washer	hot galvanized			2	2 2480 000 122

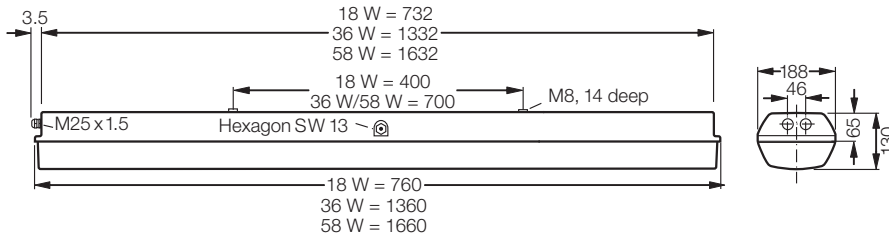
¹⁾ For luminaires eLLK 923.../.. and eLLM 923.../.. with single pin caps Fa6

Metal cable glands M20/M25 see page 8.10.

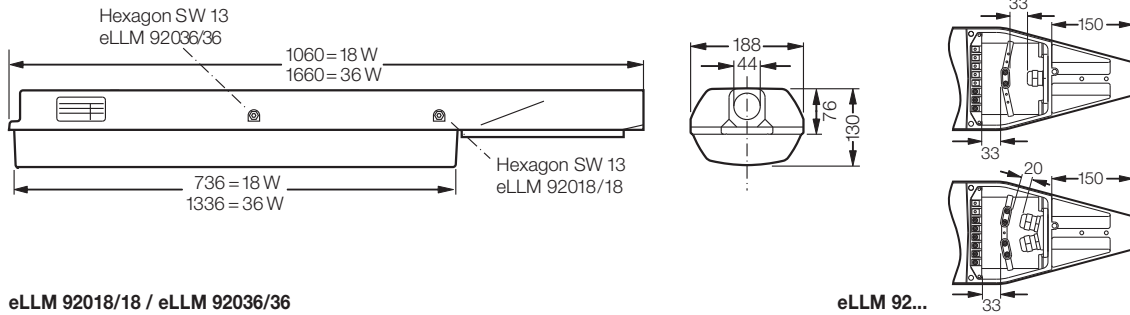
Complete Mounting Systems see page 2.70 to 2.76.



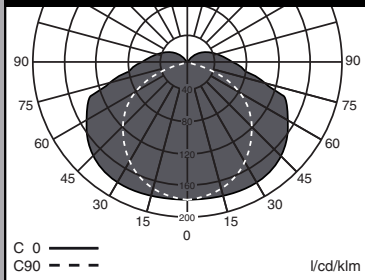
Dimension drawing | Polar curve | Accessories



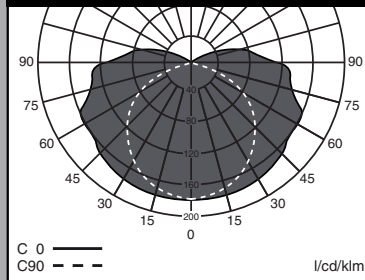
eLLK 92018/18 / eLLK 92036 / eLLK 92036/36 / eLLK 92058 / eLLK 92058/58



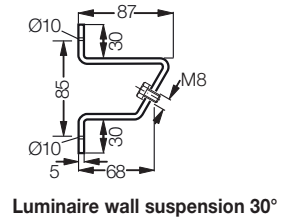
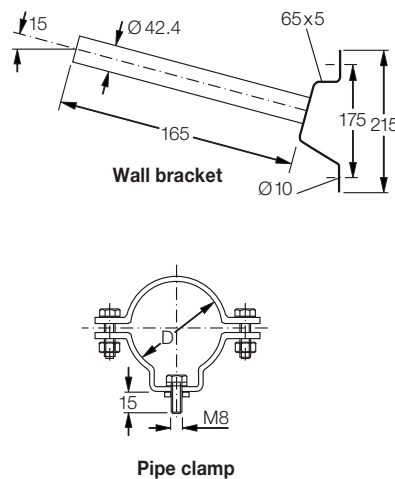
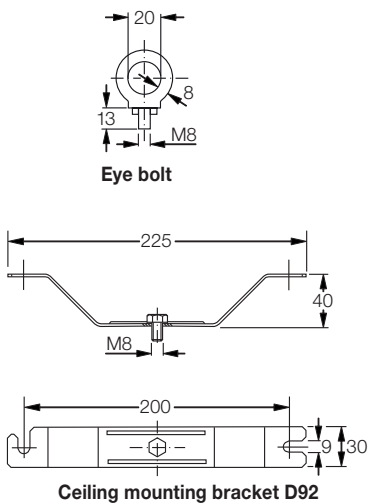
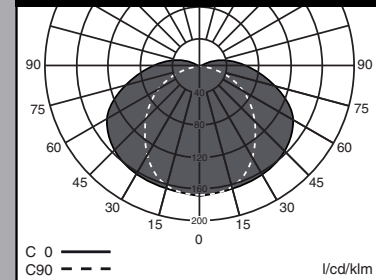
Polar curve
eLLK 92018/18 / eLLK 92036/36



Polar curve
eLLK 92036 / eLLK 92058



Polar curve
eLLK 92058/58



Dimensions in mm

1
2
3
4
5
6
7
8
9
10
11
12