

Explosion Protected Escape Sign Luminaire EXIT CG-S



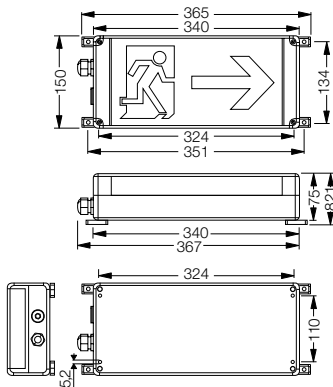
- Explosion protected safety luminaire with white high power LEDs
- Minimum maintenance effort with high LED service life via optimised power output control of LED regulation
- Shortened inspection effort due to CEWA GUARD technology
- Automatic function monitoring of up to 20 luminaires per circuit
- Reduced installation expenditure with STAR technology
- Freely programmable mixed operation of the switching modes per luminaire in one circuit






EXIT CG-S

Marking acc. to 94/9/EG (according to new standard - applied for)	II 2 G EEx e m ib IIC T6/T5/T4 / II 2 D IP66 T60 °C II 2 G Ex e ib mb IIC T4/T5/T6 II 2 D Ex tD A21 IP66 T80 °C
EU-type inspection certificate	PTB 02 ATEX 2111
IECEX-inspection certificate	IECEX BK1 06.0003
Marking acc. to IECEx	Ex em ib IIC T4/T5/T6 Ex tD A21 IP66 T80 °C
Ignition protection type	EEx em ib IIC T6 (t _{a max.} +40 °C), T5 (t _{a max.} +50 °C)
Viewing distance	25 m (acc. to DIN EN 1838)
Housing material	Polycarbonate (850 °C glow wire resistant)
Housing colour	Grey, RAL 7035
Protective cover	Polycarbonate
Rated voltage EXIT CG-S	AC: 220 - 230 V ± 10 %, 50/60 HzDC: 220 V + 25 % - 20 %
Current consumption with battery operation	20 mA
Rated power	approx. 6 VA
Permissible temperature range	- 20 °C to + 50 °C
Cable infeeds	1 x Ex e-cable entry M20 x 1.5 (Plastic) 1 x Ex e-blanking plug M20 x 1.5
Connection terminals	3 x Loop terminals 2.5 mm ²
Type of mounting	Wall mounting
Light source	High-power LEDs, white

Dimensions in mm



Ordering details

Type	Scope of supply	Order No.
EXIT CG-S	including cover with silkscreened pictogram PR 	1 2191 020 001
	including cover with silkscreened pictogram PL 	1 2191 020 002
	including cover with silkscreened pictogram PU 	1 2191 020 003

Other pictograms on request