



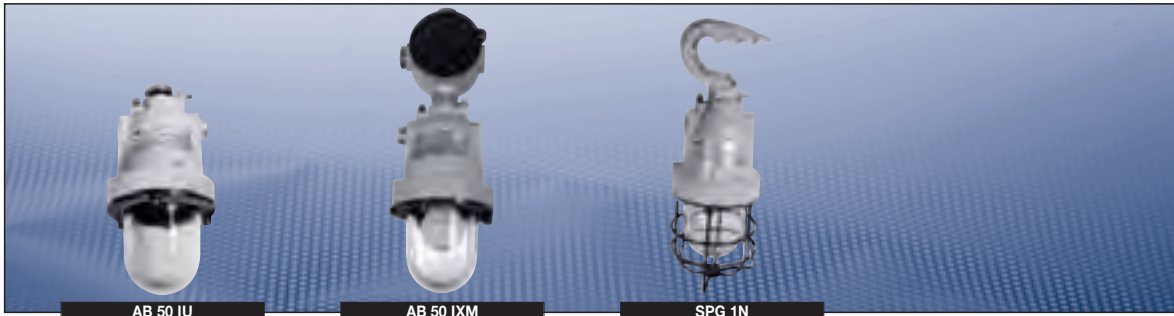
Technical data

AB 50 SPG 1N	
Marking to 94/9/EC (new standard – applied for)	Ⓔ II 2 G Ex d IIC T3 (direct entry IU); T4 with 60 W at $t_{lamp} +40\text{ °C}^1$ Ⓔ II 2 G Ex de IIC T3 (indirect entry IXM) Ⓔ II 2 D Ex tD IP67 T180 °C, T130 with 60 W at +40 °C
EC-Type Examination Certificate	LOM 02 ATEX 2018 X
Permissible ambient temperature	-20 °C to +55 °C -50 °C to +55 °C (option: AB 50)
Rated voltage	max. 250 V
Power consumption	max. 100 W
Connecting terminals	1 x 2.5 mm ² / 2 x 1.5 mm ² (IU and SPG1N), 2 x 2.5 mm ² , PE 2 x 6 mm ² (IXM)
Insulation class	I
Incandescent lamp	60 W, 100 W, 75 W halogene ²⁾
Lamp cap	E 27
Rated luminous flux ¹⁾	710 lm / 1360 lm
Light efficiency in operation	68 %
Degree of protection accd. EN 60529	IP67
Cable glands/Gland plates/Enclosure drilling	2 x 3/4" ISO 7/1-thread (Ex-d), one plugged (UI) / 2 x M25 x 1,5 (IXM), SPG1N incl. cable gland
Dimensions (L x W x H)	see dimension drawing
Weight	see table
Type of mounting	ceiling mounting
Enclosure material	light alloy
Enclosure colour	grey
Protective cover/protective bowl	borosilicate glass

¹⁾ depends on lamp

²⁾ 75 W halogene lamp max $t_a = +40\text{ °C}$

Ex-Pendant light fittings



Ordering details

Type	Entry thread	Cable gland for cable Ø	Blanking plug	Weight	Order No.
(T _{ambient} -20 °C to +55 °C)					
AB 50 IU (direct entry)	2 x 3/4"	9 - 14 mm Ex-d	1 x 3/4" Ex-d	1.6 kg	NOR 000 115 110 292
AB 50 IU (direct entry)	2 x 3/4"	-	1 x 3/4" Ex-d	1.5 kg	NOR 000 115 110 289
AB 50 IXM (indirect entry)	2 x M25 x 1.5	9 - 14 mm Ex-e	1 x M25 x 1.5 Ex-e	2.3 kg	NOR 000 115 110 321
AB 50 IXM (indirect entry)	2 x M25 x 1.5	-	1 x M25 x 1.5 Ex-e	2.2 kg	NOR 000 115 110 320
SPG 1N (portable light fixture)	1 x 3/4"	9 - 14 mm Ex-d	-	2.2 kg	NOR 000 005 110 745

(T _{ambient} -50 °C to +55 °C)					
AB 50 IU (direct entry)	2 x 3/4"	-	1 x 3/4" Ex-d	1.6 kg	NOR 000 115 110 389
AB 50 IXM (indirect entry)	2 x M25 x 1.5	-	1 x M25 x 1.5 Ex-e	2.2 kg	NOR 000 115 110 420

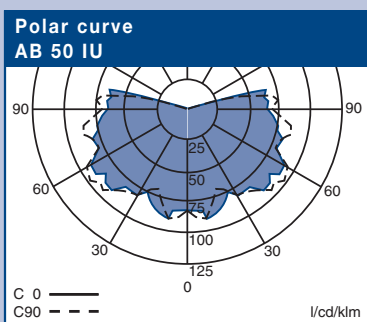
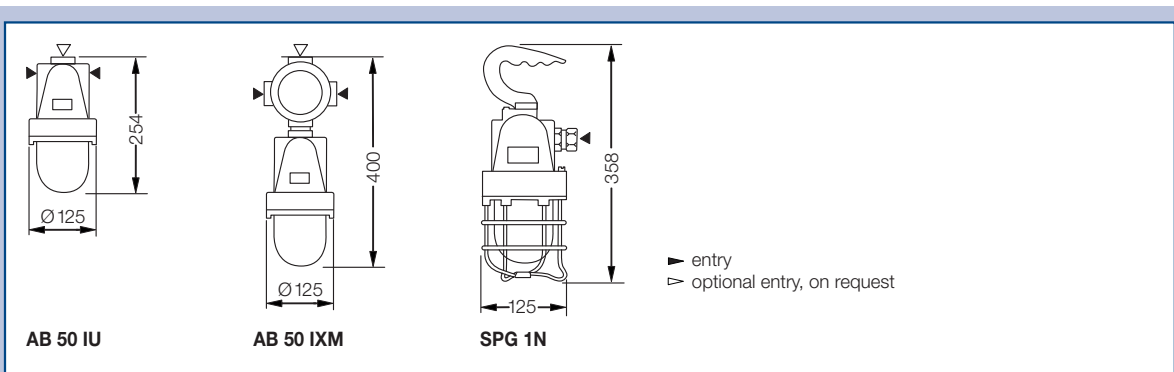
Lamps and fixing accessories are not included

Accessories

AB 50/SPG 1N				
Type	Content	Application	Order No.	
REP AB 50	Spare glass	AB 50	NOR 000 115 110 874	
WG	Wire guard, galvanized	AB 50	NOR 000 115 110 875	
ER	External reflector, coated	AB 50	NOR 000 115 110 718	
CEV / AB	Eye bolt galvanized	AB 50	NOR 000 005 110 852	
AS. EV	Ceiling bracket, galvanized	AB 50	NOR 000 005 110 828	

Metal cable glands see page 8.10...

Dimensions drawing | Polar curve



Dimensions in mm