

EX - EMERGENCY LIGHT FITTING

AB 12108-EVG Safety Light Fitting for Zone Zone 1 and 21 EE11 PL Self-Contained Emergency Luminaire for Zone 1 and 21

These light fittings are in accordance to the ATEX Directive 94/9/EC for the temperature class up to T6. They are therefore certified for use in the Zones 1, 2, 21 and 22. Additionally they fulfill the directive EN 60598, Part 2.22 for Emergency Lighting accordingly.

The Ex-light fitting AB 12108-EVG is fitted with an electronic ballast and an 8 W fluorescent lamp.

With the optional built-in CG-S monitoring module with coding switch for max. 20 addresses, this luminaire can also be used as an individually monitored emergency lighting luminaire that is connected to a CEAG emergency lighting supply system. With this, the operator can programme the switching mode according to the respective requirements. Thus, as many as 20 luminaires with different switching modes can be connected to one end circuit.

The Ex-light fitting EE 11 PL with a self-contained battery system is fitted with an 11 W compact fluorescent lamp and was designed for a 1.5 hour Emergency Lighting duration and a 3 W white GLS for permanent light.

Additionally the charging status and the mains supply are also shown by LEDs. The housing is made of a copper-free aluminium and has a borosilicate glass tube.

They are used for illuminating emergency exit routes, as well as emergency light fitting for identification of exits.



- **Housing made of copper-free aluminium with a borosilicate glass tube**
- **Safety Standard IP67**
- **8 W fluorescent lamp for main lighting (AB 12 108)**
- **11 W compact fluorescent lamp for emergency lighting (EE11 PL)**
- **Operation and monitoring possible from CEAG emergency lighting system**



EE11 PL with eXLink

EE11 PL

AB 12108-EVG

Technical data

AB 12108-EVG

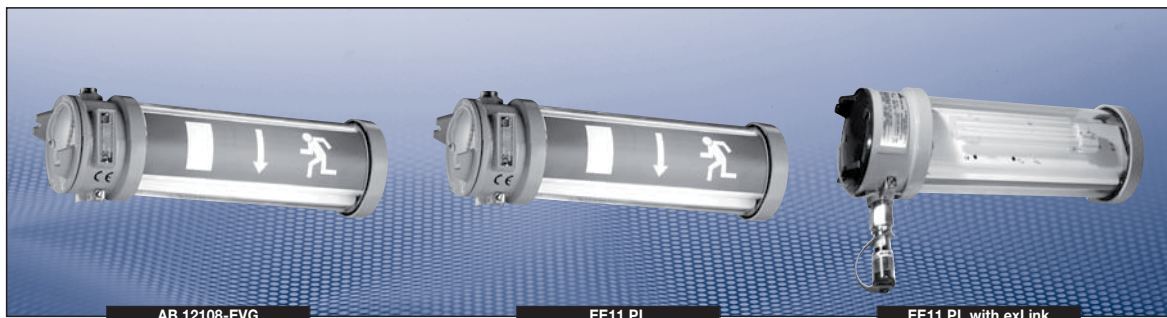
Marking to 94/9/EC (new standard – applies for)	⊕ II 2 G EEx d IIC T6/T5 / ⊕ II 2 D T 58 °C (T _a up to 40 °C) T 73 °C (T _a up to 55 °C) ¹⁾ ⊕ II 2 G Ex d IIC T5/T6 / ⊕ II 2 D Ex tD A21 IP67 T73 °C
EC-Type Examination Certificate	LOM 02 ATEX 2013 X
Permissible ambient temperature	-20 °C up to +55 °C
Rated voltage 1	230 V AC
Rated voltage 2	220 V DC +25 %/-20 %
Frequency	50 Hz
Rated power consumption	approx. 16 VA
Connecting terminals	L1, N and PE: 2 x 2.5 mm ² / PE ext.: 2 x 6 mm ²
Insulation class	I
Lamp/Illuminant	1 x 8 W/T5-fluorescent lamp for mains and emergency operation
Lamp cap	G5
Luminous flux Φ _E /Φ _N at the end of rated operating time	75 %
Viewing distance with legend	up to approx. 15 m
Degree of protection accd. EN 60529	IP67
Cable glands/gland plates/enclosure drilling	direct entries: see ordering details
Dimensions (L x W x H)	460 x 144 x 140 mm
Weight	approx. 5.3 kg
Enclosure material	copper-free aluminium
Protective cover/protective bowl	borosilicat-glass

EE11 PL

Marking to 94/9/EC (new standard – applies for)	⊕ II 2 G EEx d IIC T6 / ⊕ II 2 D T 58 °C ⊕ II 2 G Ex d IIC T5/T6 / ⊕ II 2 D Ex tD A21 IP67 T73 °C
EC-Type Examination Certificate	LOM 03 ATEX 2036 X
Permissible ambient temperature	-5 °C up to +40 °C
Rated voltage 1	220 V - 240 V AC
Rated voltage (option)	108 V - 127 V AC
Frequency	50 - 60 Hz
Rated power consumption	approx. 16 VA
Connecting terminals	L1, N and PE: 2 x 2.5 mm ² / PE ext.: 2 x 6 mm ²
Insulation class	I
Lamp/Illuminant	1 x 11 W compact-fluorescent lamp for emergency operation
Pilot lamp	3 W – GLS for permanent operation
Lamp cap of 11 W C FL	socket 2G7
Luminous flux in emergency operation	approx. 70 % after 1.5 h
Viewing distance with legend	up to approx. 15 m
Battery	nickel-cadmium 4 Ah
Rated operating in emergency	1.5 h
Charging duration	24 h
Degree of protection accd. EN 60529	IP67
Cable glands/gland plates/enclosure drilling	see ordering details, eXLink inlet on request
Dimensions (L x W x H)	460 x 144 x 140 mm
Weight	approx. 5.6 kg
Enclosure material	copper-free aluminium
Protective cover/protective bowl	borosilicat-glass
Function indication	red LED battery charging green LED main connection

Note: EE11PL Luminaire must not be opened in hazardous area.

¹⁾ Marking accd. new standard applies for







Ordering details

Type	Rated voltage	Thread	Cable gland Ex-d	Blanking plug Ex-d	Ordering Code
AB12108-EVG					
AB12108-EVG	220 - 230 V AC /	2 x 3/4"	1 x 3/4" Ø 9 - 14 mm	1 x 3/4"	NOR 000 005 060 837
AB12108-EVG	195 - 250 V DC	2 x 3/4"	–	1 x 3/4"	NOR 000 005 060 820
EE11 PL					
EE11PL	220 - 240 V AC	2 x 3/4"	1 x 3/4" Ø 9 - 14 mm	1 x 3/4"	NOR 000 005 160 012
		2 x 3/4"	–	1 x 3/4"	NOR 000 005 160 013
EE11PL	108 - 127 V AC	2 x 3/4"	1 x 3/4" Ø 9 - 14 mm	1 x 3/4"	NOR 000 005 160 015
		2 x 3/4"	–	1 x 3/4"	NOR 000 005 160 014

Accessories

Ex-Emergency luminaires AB 12108-EVG and EE11 PL

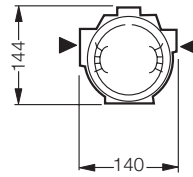
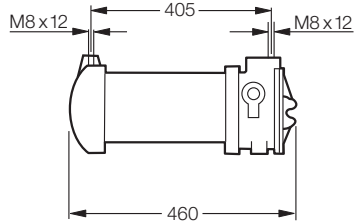
Type	OU	Ordering Code
Ceiling bracket D 92 with screws and polyamide washer (CrNi, 2 pcs.)	1	2 2480 092 000
Ceiling bracket A5 hot galvanized (1 pc.)	1	NOR 000 005 009 162
Wall bracket 45° hot galvanized (1 pc.)	1	NOR 000 005 009 196
Reflector RAB 108 (AISI 304)	1	NOR 003 045 060 471
Reflector RAB 108 (AISI 304) + guard (steel white epoxy coating)	1	NOR 003 045 060 819
Reflector RAB 108 (AISI 316)	1	NOR 003 165 060 471
Reflector RAB 108 (AISI 316) + guard (steel white epoxy coating)	1	NOR 003 165 060 819
Legend LWRE 	1	NOR 000 000 506 915
Legend LWRD 	1	NOR 000 000 506 907
Legend LWRH 	1	NOR 000 000 506 965
Legend LWRI 	1	NOR 000 000 506 966

Lamps for Ex-emergency and signal light fittings

For luminaire Type	Lamp type/ lamp cap/diameter	Lamp power	rated luminous flux approx.	Ordering Code
AB 12108-EVG	T5, socket G5, Ø 16 mm	8 W	450 lm	4 0040 004 623
EE11 PL	TC-SEL, 4-pin socket 2G7	11 W	900 lm	on request

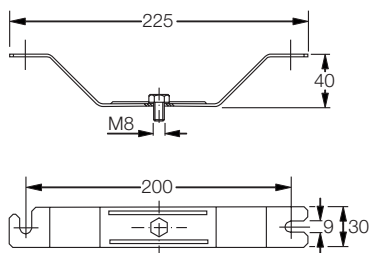
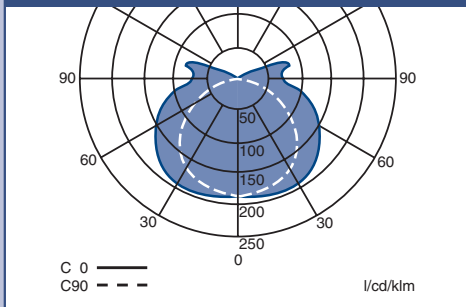


Dimension drawing | Polar curves | Accessories



AB 12108-EVG / EE11 PL

Polar curve
AB 12108-EVG / EE11 PL



Ceiling bracket D92

Dimensions in mm

1
2
3
4
5
6
7
8
9
10
11
12